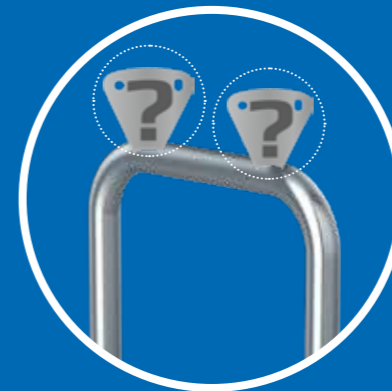
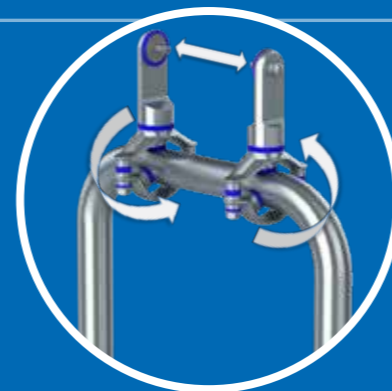


Adjustable Legs

Different solutions for different needs



NGI A/S
Virkelyst 5
9400 Nørresundby
Denmark

+45 98 17 45 00
ngi@ngi.dk

NGI Italy
Via Guglielmo Jervis 4
10015 IVREA TO
Italy

+39 077 568 7010
ngi@ngi.dk

NGI Inc. USA
805 Satellite Blvd
Suwanee, GA 30024
USA

+1 (646) 201 9410
sales@ngi.dk

ngi-global.com

Design & Patent Protected

Hygienic and sustainable products & solutions

Based on in-depth partnerships

Strong supply chain - worldwide delivery 1-6 days

Transforming from stainless steel supplier to a value-adding partner in hygienic design

The combination of thorough advice and extensive industry knowledge enables us to offer a comprehensive and innovative product range of all types of hygienic components.

Our deep insight into the various sectors within the machine manufacturing and food processing industries makes us a value-adding partner with focus on consulting, sparring and knowledge sharing.

Today, NGI is much more than a supplier of stainless steel components. We believe that delivering high quality products on time is not

sufficient to be successful. We want to build collaborative relationships with our customers with the authentic intention of creating real value.

Our dialog with technicians, engineers and purchasers at machine builders as well as brand owners worldwide enables us to take responsibility for improving our customers' competitiveness.

Today, NGI is represented in more than 50 countries.



Contact us

T: +45 9817 4500

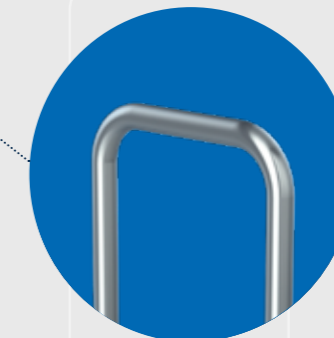
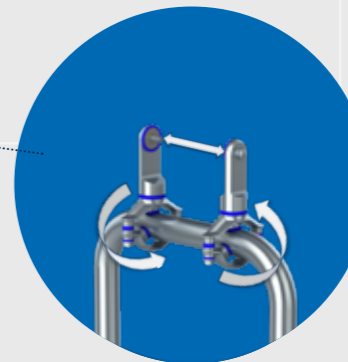
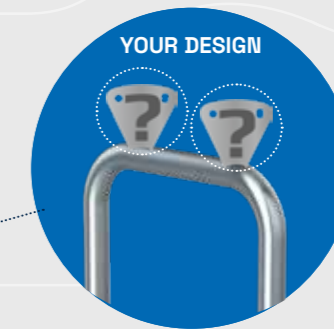
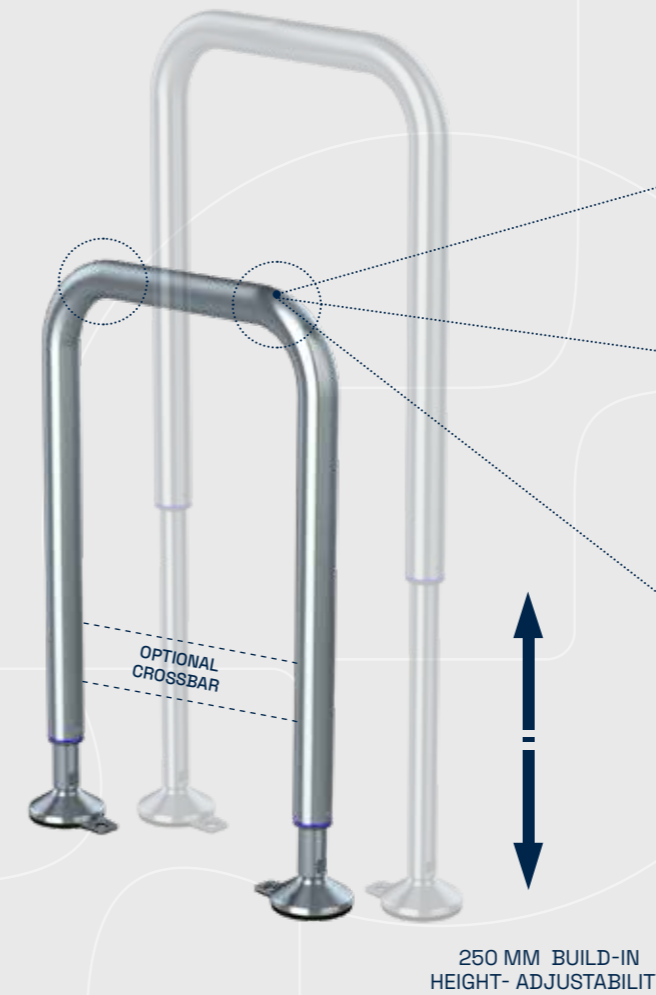
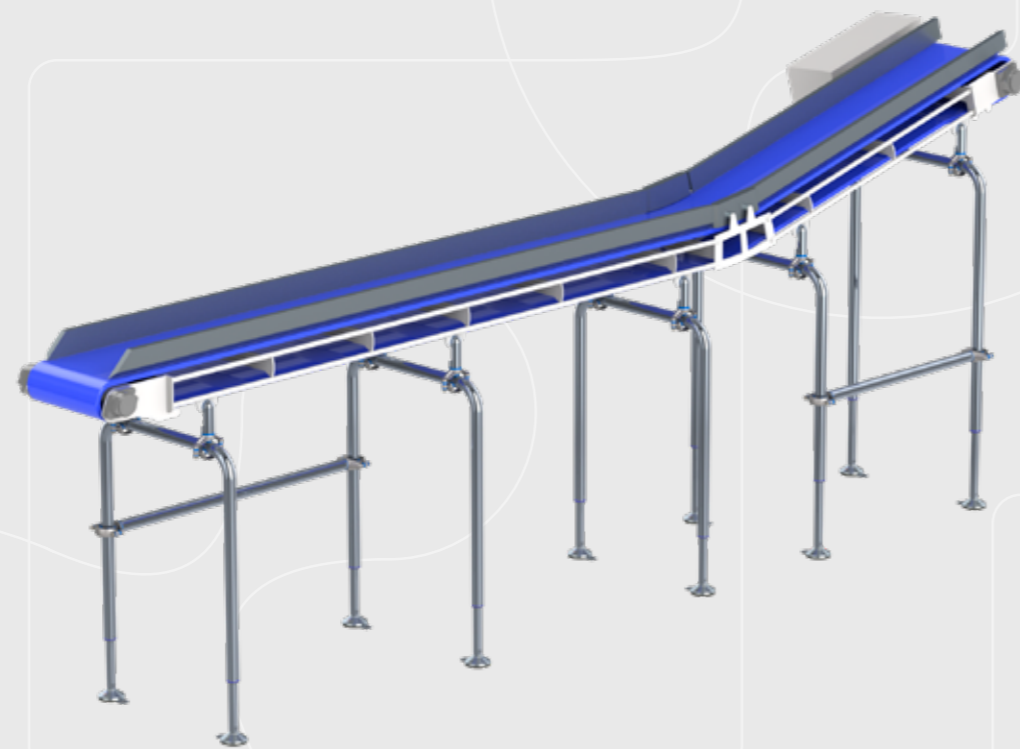
ngi@ngi.dk

Different systems for different needs

- Save money on engineering hours
- Optimize your design process by standardizing
- Lower your production costs



Adjustable U-Profile legs



CUSTOMIZED LEGS

DESIGN YOUR OWN
CUSTOMIZED TOP FITTINGS

THE TOP FITTINGS CONNECT
THE LEGS TO THE MACHINE

NGI CAN MANUFACTURE YOUR
CUSTOMIZED TOP FITTINGS

FULL FLEXIBILITY LEGS

THE BRACKETS PROVIDE
FULL FLEXIBILITY
EVEN AFTER INSTALLMENT

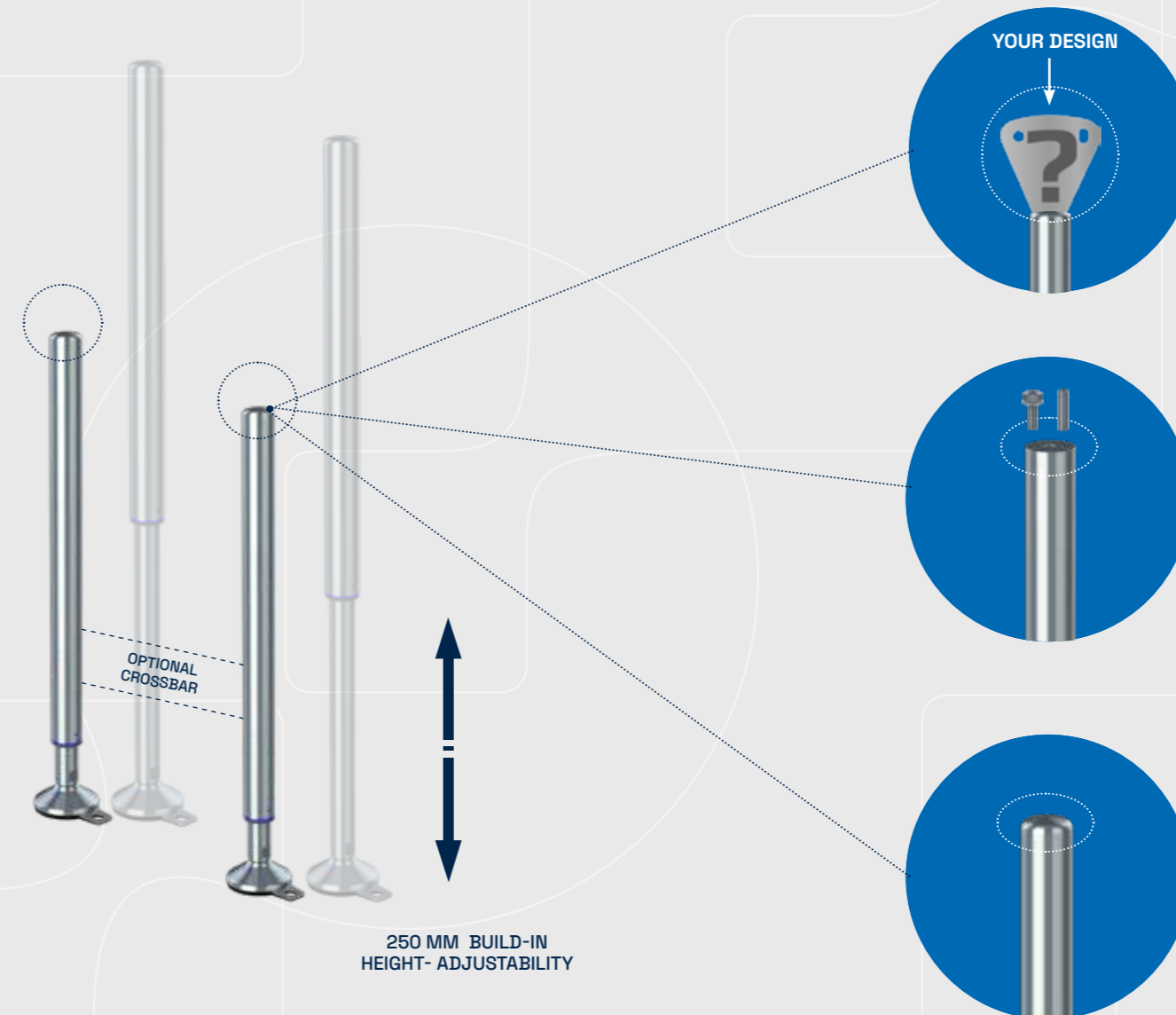
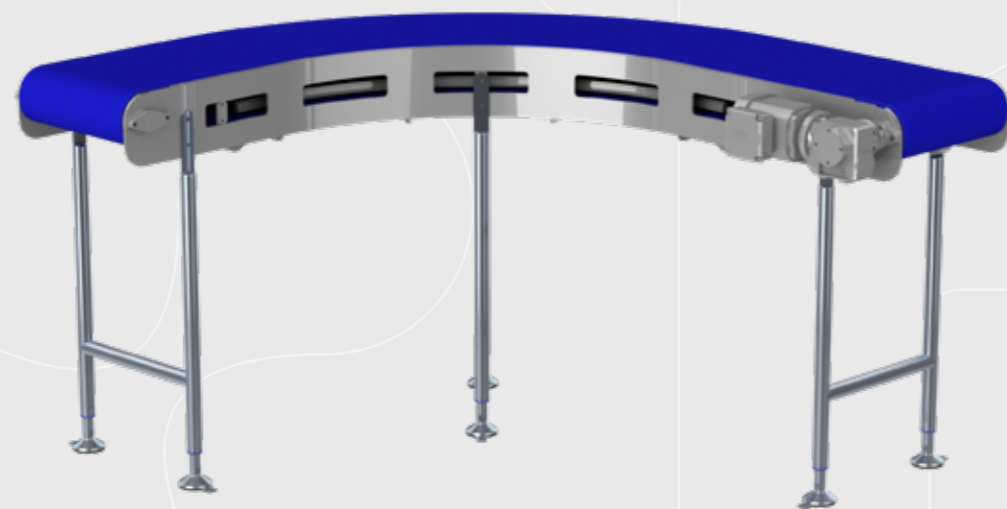
LEGS ONLY

LEGS SUPPLIED WITHOUT
TOP FITTINGS OR BRACKETS

MAKE YOUR OWN
MODIFICATIONS TO THE LEGS

PRODUCE AND MOUNT
YOUR OWN ACCESSORIES

Adjustable Combined single legs



CUSTOMIZED LEGS

DESIGN YOUR OWN
CUSTOMIZED TOP FITTINGS

THE TOP FITTINGS CONNECT
THE LEGS TO THE MACHINE

NGI CAN MANUFACTURE YOUR
CUSTOMIZED TOP FITTINGS

WELDING PLATE TOP SEAL

TOP OF LEGS SEALED
WITH WELDING PLATES

SELECT THREAD DIAMETER
OF THE WELDING PLATES

CONNECTS TO MACHINE VIA
BOLTS OR POINTED SCREWS

ROUNDED TOP SEAL

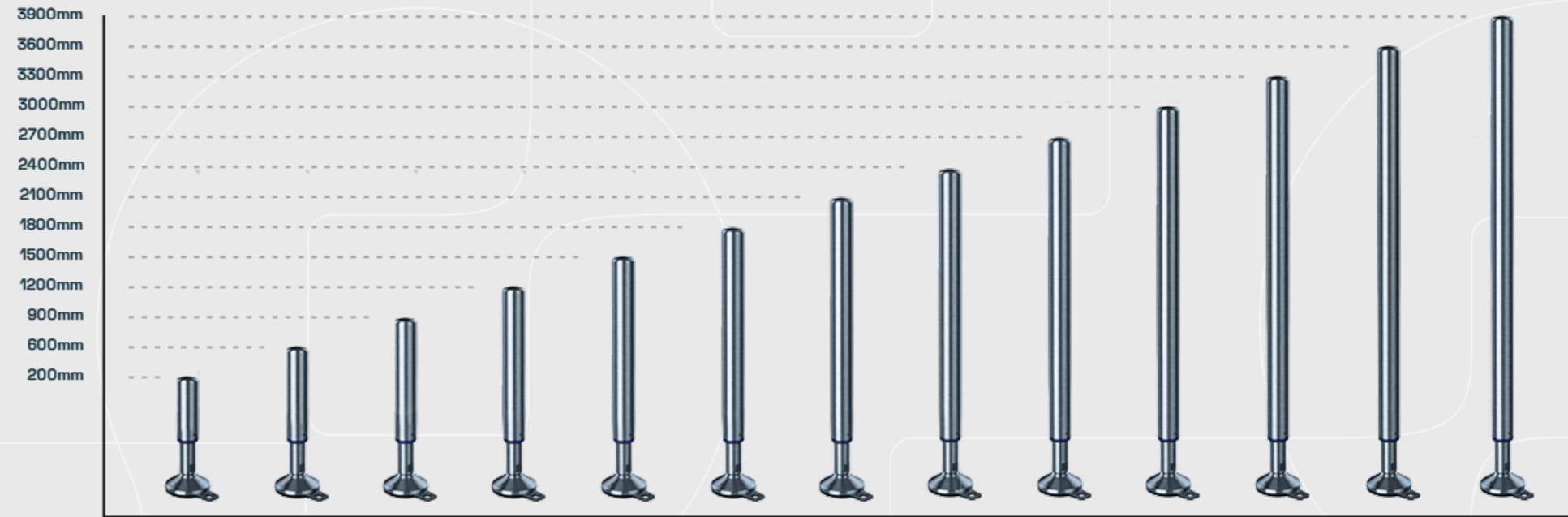
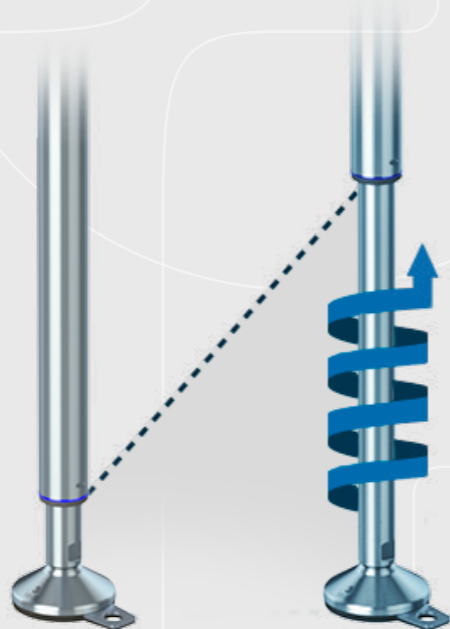
TOP OF LEGS CLOSED
WITH ROUNDED TOP SEALS

Select levelling feet or levelling castors



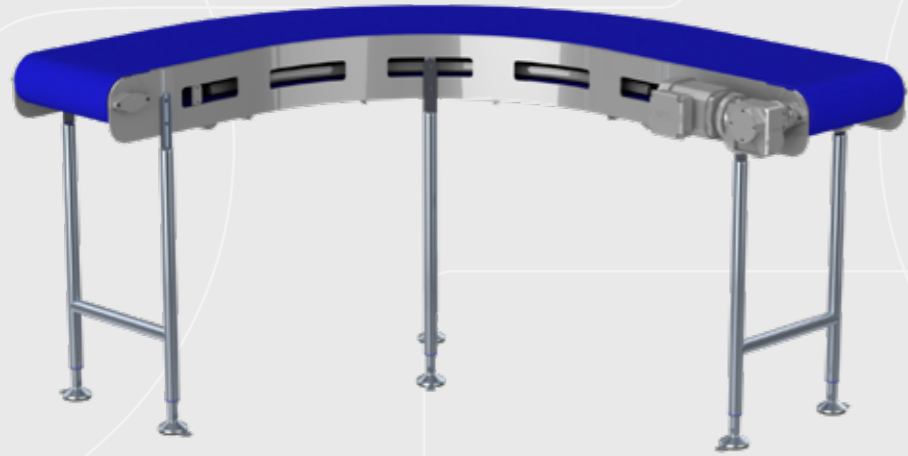
Height Adjustable Systems From 200 to 4000 mm

- 250 mm build-in height-adjustability (as standard)
- Tube Dimensions $\varnothing 37$ and $\varnothing 51$
- All customized heights and widths available
- Weight-load capacity up to 10.000 N per leg
- Contact ngi@ngi.dk to receive the STEP-files



SELECT DIAMETER $\varnothing 38$ OR $\varnothing 51$: 250 MM BUILD-IN HEIGHT-ADJUSTABILITY IN ALL LEGS

2



3



1



1

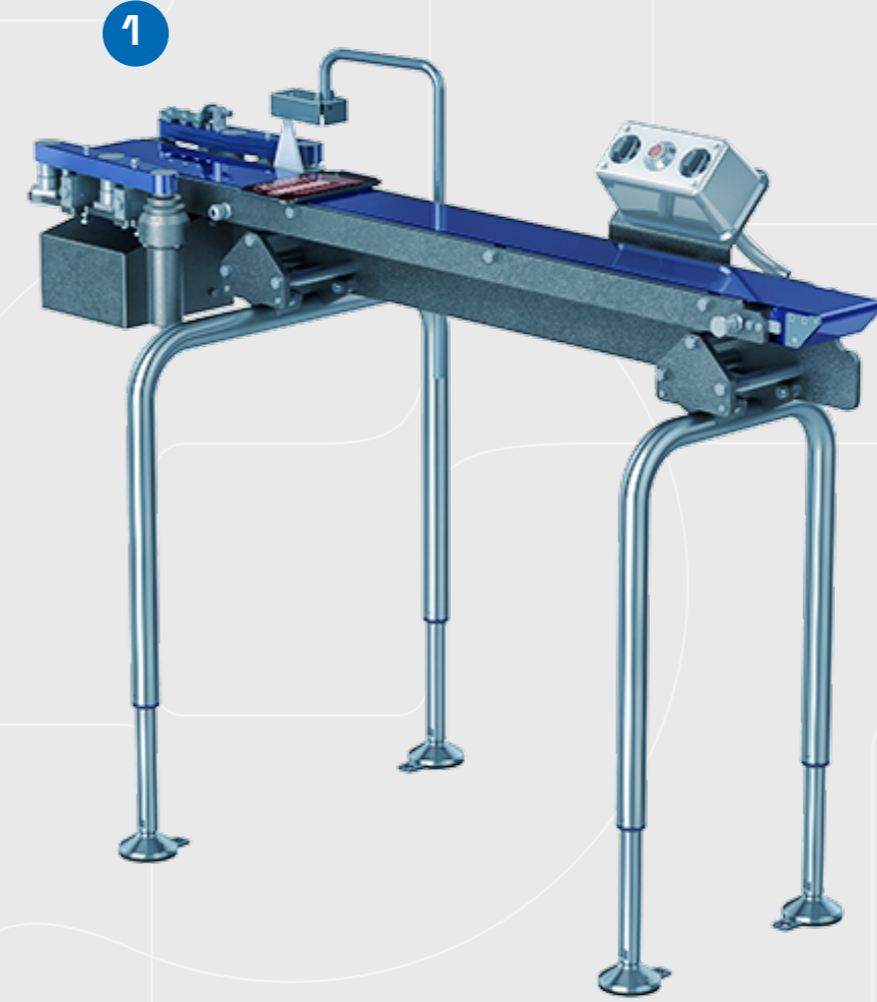
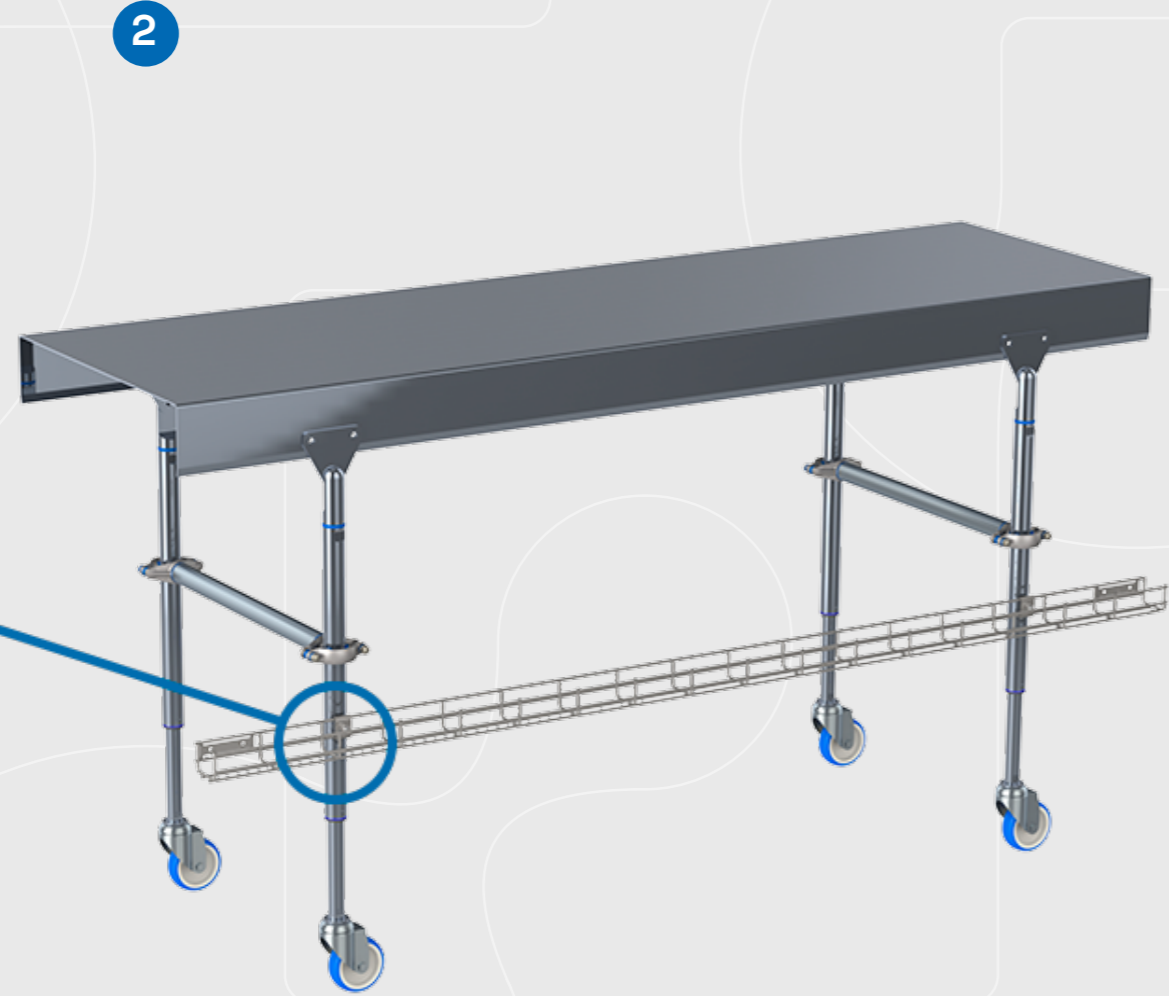
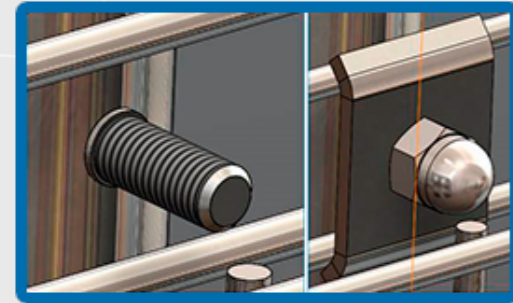
U-profile legs and combined single legs used with flexible brackets

2

Combined single legs with welded round crossbars and customized fittings

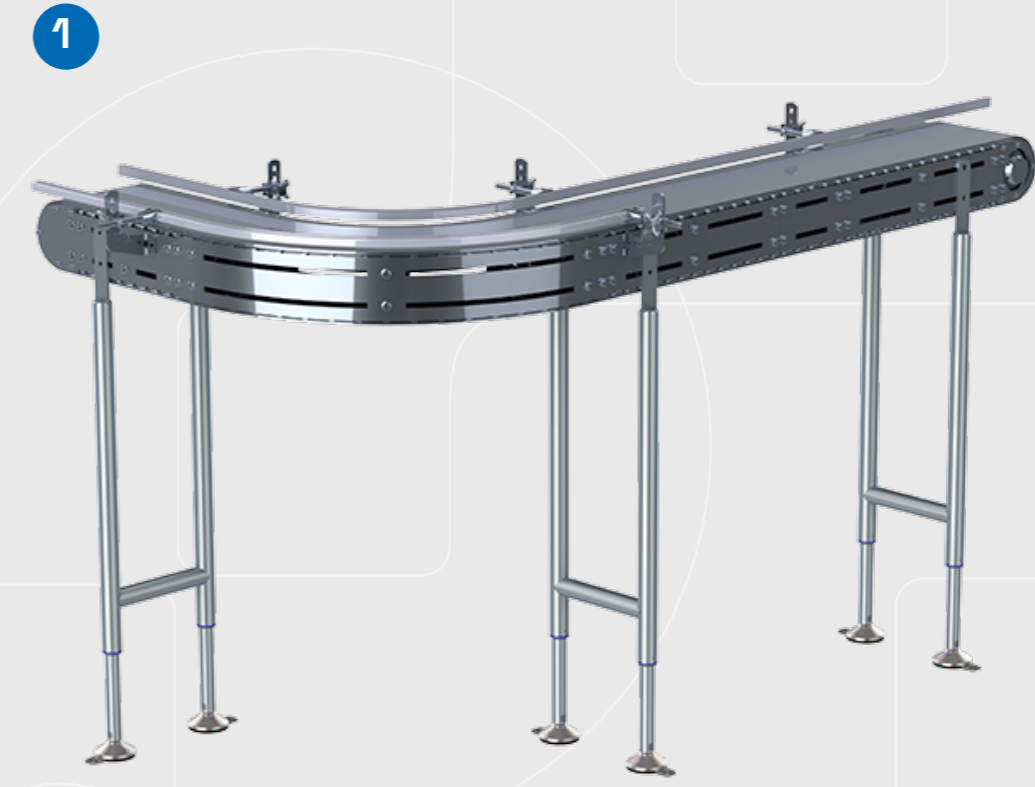
3

U-profile legs with welded round crossbar and customized top fittings



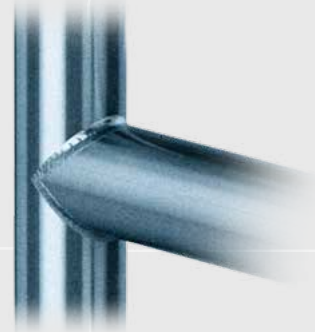
- 1 Customized top fittings welded on u-profile legs
- 2 Combined single legs with castors and cable tray





- 1 Combined single legs with welded round crossbars and customized top fittings
- 2 Frame system of combined single legs with welded round crossbars and customized top

3

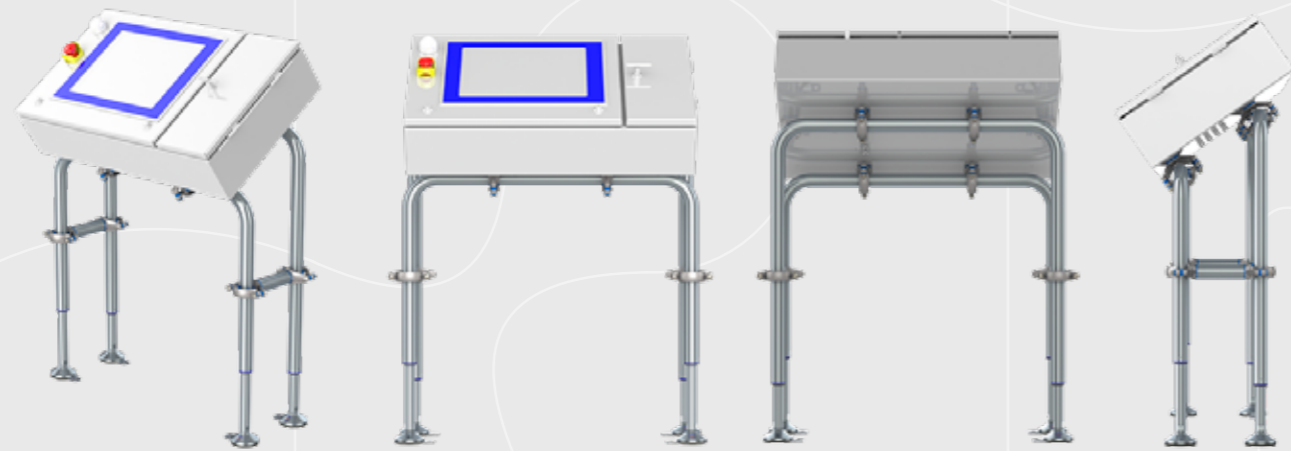


WELDED ROUND CROSSBAR



BRACKET CROSSBAR

2



1



1

Combined single legs with rounded top seals and welded round crossbars

2

U-profile legs used with flexible brackets

3

Crossbar connections

