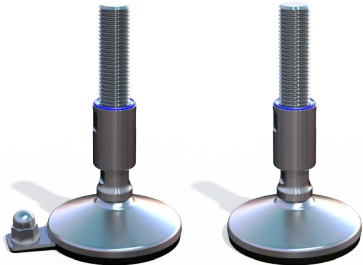


INSTALLATION MANUAL XH

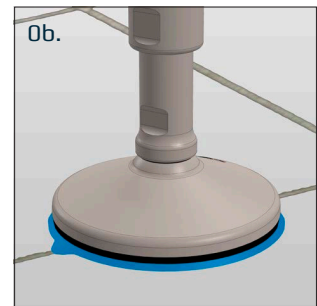
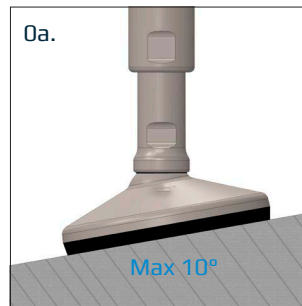


INSTALLATION OF XH FOOT ASSEMBLY

This guideline describes how to install the XH foot assembly onto the machine or component for which it is intended to support.

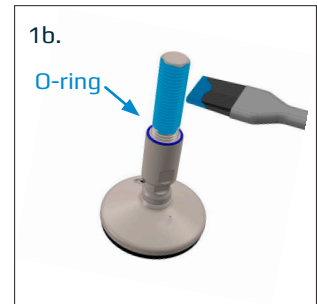
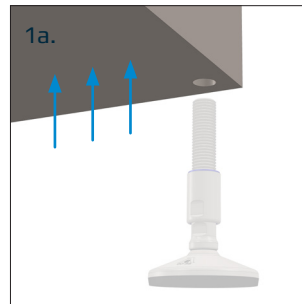
0a. Prior to installation of the foot ensure that the incline of the floor area intended to support the foot pad does not exceed 10 degrees relative to horizontal.

0b. Assure that the foot pad will not span over cracks, grout lines or other floor imperfections when mounted. If unavoidable the cavity between the load bearing foot and the floor must be sealed with injecting bonding material under and around the edge of the load bearing foot.



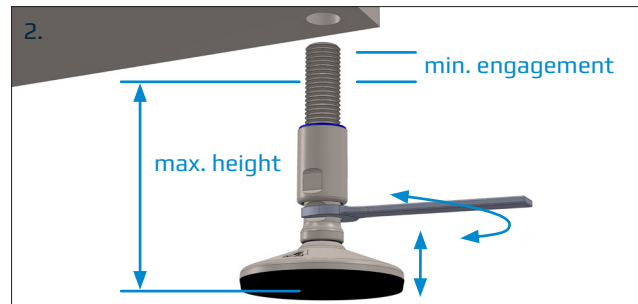
1a. Lift/Jack up the machine for free access to mount foot assembly.

1b. Ensure that sealing is correctly mounted on top of the sleeve. Grease external thread with FoodLube Universal Grease. Make sure to remove any excess of grease from external surfaces after installation.



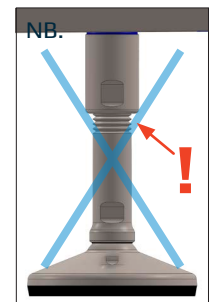
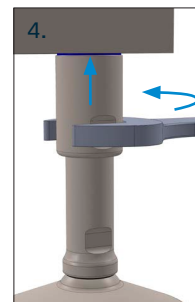
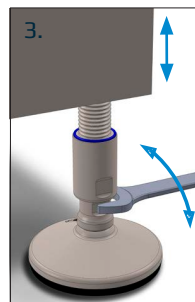
2. Mount the machine foot on the machine and use a wrench to adjust the vertical position. Make sure not to exceed the max adjustable height and that the length of engagement is correct. Complete step 0-2 for all feet supporting the machine.

3. Lower the machine so that the feet rest on the floor. Perform final height adjustment if needed and ensure that the load is uniformly distributed on all feet.



4. Use a wrench to rotate and tighten the sleeve up against the bottom of the machine or component for which the foot is used. Make sure that the sleeve is properly tightened to secure the foot assembly and to prevent dirt from accessing the thread.

NB. If the sleeve does not cover the thread, the leg is not correctly installed and will neither meet hygienic guidelines nor load specifications.

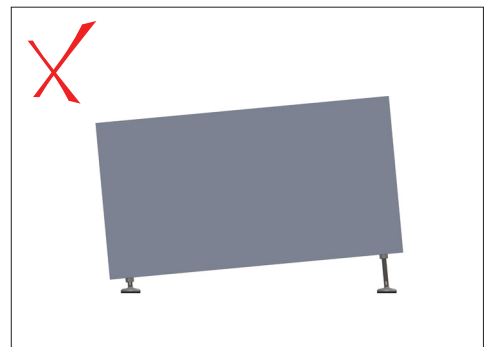
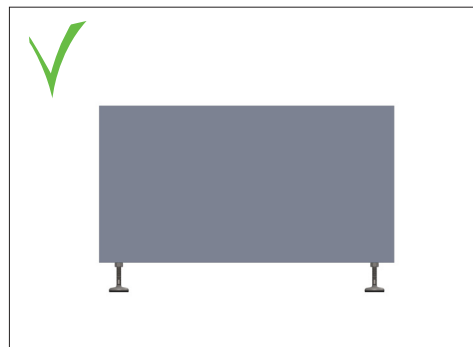


POSITIONING OF LEGS UNDER MACHINE

For the optimal positioning of the machine, the machine feet must be positioned in accordance with a few guidelines.

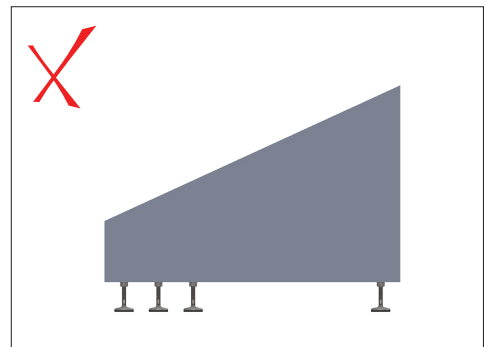
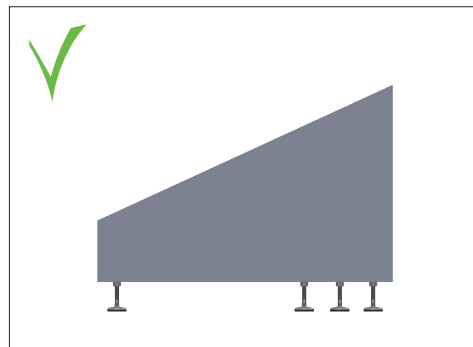
Level

The machine must be level



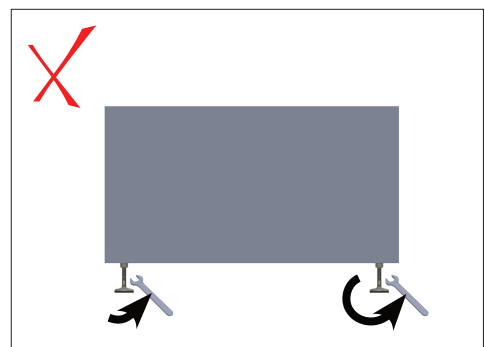
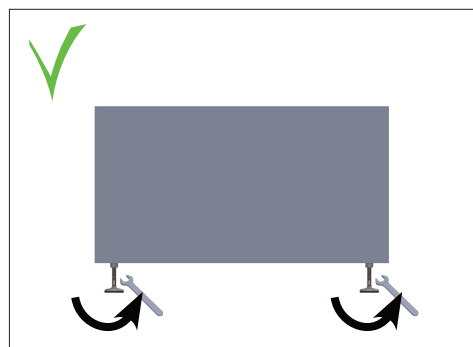
Even load

If the machine is not even weight, the machine feet will preferably be placed accordingly, so that the weight is evened out.



Leveling

For a stable result the machine feet should be adjusted (justeret med lige meget spænding i hver fod)



Sloping floor

For a stable result the maximum slope of the floor may not exceed the recommendations for the specific foot.

