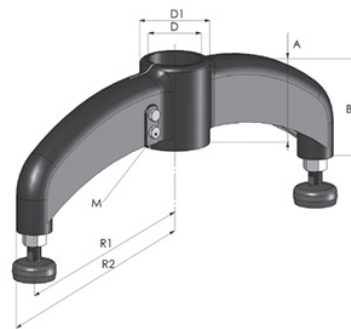
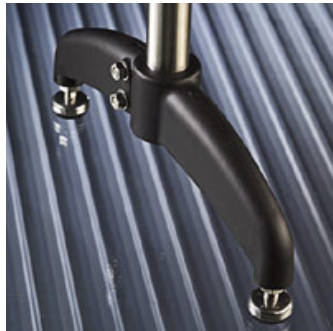


## Type 2SB



A (mm)	B (mm)	D1 (mm)	M (mm)	R1(mm)	R2(mm)
85,0	145,0	Ø80	16	224,0	245,0

### RESULTAT = 5

Type	D Thread	W Load
2SB381	38,10 mm	960,00 kg
2SB424	42,40 mm	960,00 kg
2SB483	48,30 mm	960,00 kg
2SB506	50,60 mm	960,00 kg
2SB603	60,30 mm	960,00 kg